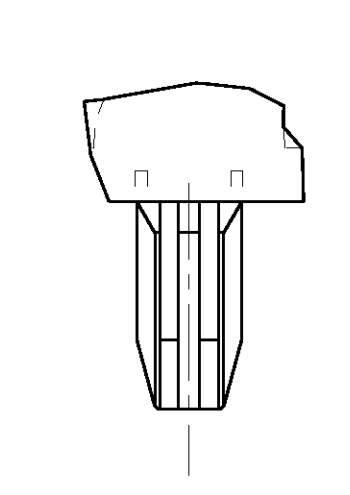


△ HOUSING-MATERIAL: LIQUID-CRYSTAL-POLYMER.  
 △ CONTACT-MATERIAL: PHOSPHOR BRONZE.  
 △ CONTACT-PLATE 0.00508 [0.00200] MIN TIN-LEAD OVER 0.00127 [0.00050] MIN NICKEL.

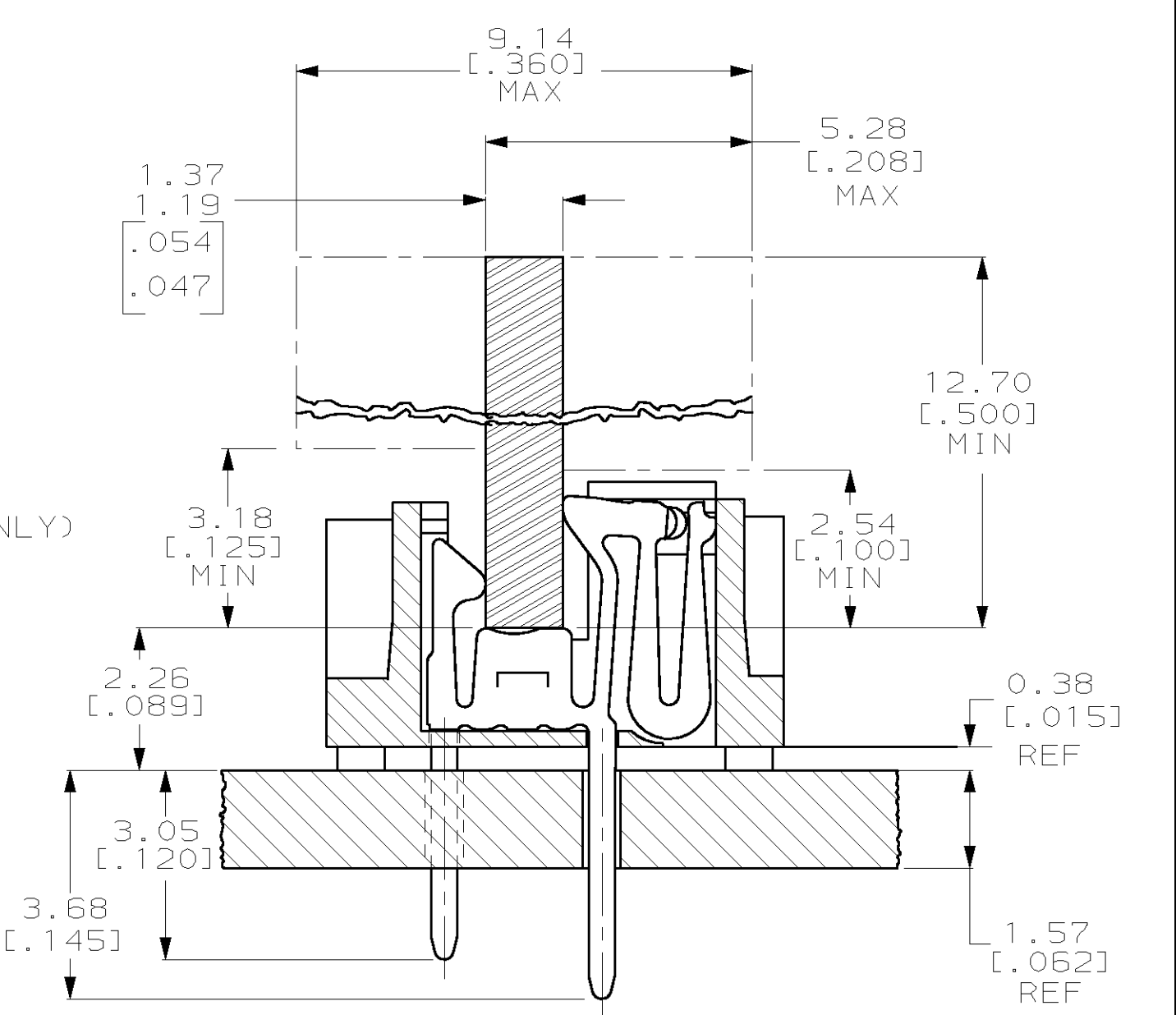
4. IN ADDITION TO THOSE RECOMMENDED "SIMM" P.C. BOARD DIMENSIONS AND TOLERANCES SHOWN, ALL JEDEC SPECIFICATIONS APPLY AS SHOWN ON MO-116, ISSUE A.

5. RECOMMENDED MATING S.I.M.M. TAB METALLURGY:  
 BASE METAL-COPPER. PLATING TO BE 0.00762 [0.000300] MIN TIN-LEAD OVER 0.00127 [0.00050] MIN NICKEL.

- △ 6 SUPERSEDED BY 821824-6
- △ 7 SUPERSEDED BY 821824-7
- △ 8 SUPERSEDED BY 821824-8
- △ 9 SUPERSEDED BY 821824-9
- △ 10 SUPERSEDED BY 1-821824-0



DETAIL D  
 SCALE 10:1  
 (CENTER POST FOR 1--3 & 1--4 ONLY)



SECTION X-X  
 SCALE 10:1

OBSOLETE	WITH CENTER POST	118.11 [4.650]	111.35 [4.384]	60.96 [2.400]	49.53 [1.950]	125.73 [4.950]	105.41 [4.150]	80	1-821824-4
OBSOLETE	WITH CENTER POST	107.95 [4.250]	101.19 [3.984]	55.88 [2.200]	44.45 [1.750]	115.57 [4.550]	95.25 [3.750]	72	1-821824-3
OBSOLETE	WITHOUT CENTER POST	143.51 [5.650]	136.75 [5.384]	73.66 [2.900]	62.23 [2.450]	151.13 [5.950]	130.81 [5.150]	100	1-821824-0
OBSOLETE	WITHOUT CENTER POST	118.11 [4.650]	111.35 [4.384]	60.96 [2.400]	49.53 [1.950]	125.73 [4.950]	105.41 [4.150]	80	821824-9
OBSOLETE	WITHOUT CENTER POST	107.95 [4.250]	101.19 [3.984]	55.88 [2.200]	44.45 [1.750]	115.57 [4.550]	95.25 [3.750]	72	821824-8
OBSOLETE		102.87 [4.050]	96.11 [3.784]	53.34 [2.100]	41.91 [1.650]	110.49 [4.350]	90.17 [3.550]	68	821824-7
OBSOLETE		97.79 [3.850]	91.03 [3.584]	50.80 [2.000]	39.37 [1.550]	105.41 [4.150]	85.09 [3.350]	64	821824-6
OBSOLETE	WITH CENTER POST	143.51 [5.650]	136.75 [5.384]	73.66 [2.900]	62.23 [2.450]	151.13 [5.950]	130.81 [5.150]	100	△ 821824-5
OBSOLETE	WITH CENTER POST	118.11 [4.650]	111.35 [4.384]	60.96 [2.400]	49.53 [1.950]	125.73 [4.950]	105.41 [4.150]	80	△ 821824-4
OBSOLETE	WITH CENTER POST	107.95 [4.250]	101.19 [3.984]	55.88 [2.200]	44.45 [1.750]	115.57 [4.550]	95.25 [3.750]	72	△ 821824-3
OBSOLETE	WITH CENTER POST	102.87 [4.050]	96.11 [3.784]	53.34 [2.100]	41.91 [1.650]	110.49 [4.350]	90.17 [3.550]	68	△ 821824-2
OBSOLETE	WITH CENTER POST	97.79 [3.850]	91.03 [3.584]	50.80 [2.000]	39.37 [1.550]	105.41 [4.150]	85.09 [3.350]	64	△ 821824-1
		F	E	D	C	B	A	NO OF POSN	PART NO

THIS DRAWING IS A CONTROLLED DOCUMENT.

DWN: K. SALMON 3-21-91  
 CHK: R. MILLER 3-25-91  
 APVD: J. LAMBERT 3-26-91

AMP TYCO Electronics  
 Harrisburg, PA 17105-3608

PRODUCT SPEC: CONNECTOR, MICRO-EDGE, .050, VERTICAL, TIN PLATE

APPLICATION SPEC: -

SIZE: A1  
 SCALE: 4:1  
 SHEET: 1 OF 1  
 REV: AB